



University of Anbar



Advancements in Image Processing: Deep Learning Approaches for Efficient Image Deblurring and Super-Resolution Applications

Mohanad A. Al-Askari^a, S A Fedosin^b

^aBiomedical Engineering Research Centre, University of Anbar , Ramadi 31001, Anbar, Iraq.
Email: mohanad.abdul@uoanbar.edu.iq ; ORCID: <https://orcid.org/0000-0001-8501-9541>

^bAutomated Information Processing and Control Systems, Electronics and Light Engineering Institute, Ogarev Mordovia State University. Saransk, Russian Federation
Email: fedosinsa@freemail.mrsu.ru ; ORCID: <https://orcid.org/0000-0003-3481-4101>

PAPER INFO

Paper history:

Received: 01/09/2025
Revised: 14/11/2025
Accepted: 05/12/2025

Keywords:

Image Processing,
Image Deblurring, Motion Blur,
Convolutional Neural Networks,
Blind Deblurring, Loss Functions,
Deep Learning



Copyright: ©2025 by the authors. Submitted for possible open access publication under the terms and conditions of the Creative Commons Attribution (CC BY-4.0) license.

<https://creativecommons.org/licenses/by/4.0/>

ABSTRACT

The paper concentrates on the latest developments in the field of deep-learning-based image deblurring and specifically, Convolutional Neural Networks (CNNs) and how they are able to be used to deblur images. It discusses the different forms of blur such as motion blur, out-of-focus blur, and mixed blur and compares these methods under the basis of blind and non-blind methods. The article sheds light on the various architecture and model design, loss functions, and performance indicators applied in image deblurring. Moreover, it draws attention to the issues that are presently observed in the sphere and gives possible path directions of the future research. The review has condensed and synthesized existing literature to provide a clear overview of the current solutions in image deblurring and offers guidance to the researchers on how to come up with the more precise, efficient, and adaptive methods of deblurring. The developments are meant to enhance the use of image restoration techniques in practical applications and this will lead to the quality and reliability of deblurring processes.

1. Introduction

Imaging processing is a crucial sphere in computer science, which works at developing and processing visual information. It is one of the most important tasks in this field, namely image deblurring where one tries to deblur a blurred image and obtain a sharp and crisp image.

Blurry images can be caused by cameras shaking, an in-focus scene, and/or moving objects. More recently, however, with the introduction of deep learning, mainly through the study of Convolutional Neural Networks (CNNs),

* Corresponding author: Mohanad A. Al-Askari; mohanad.abdul@uoanbar.edu.iq ; +9647713456683

Computer Vision Market Revenue

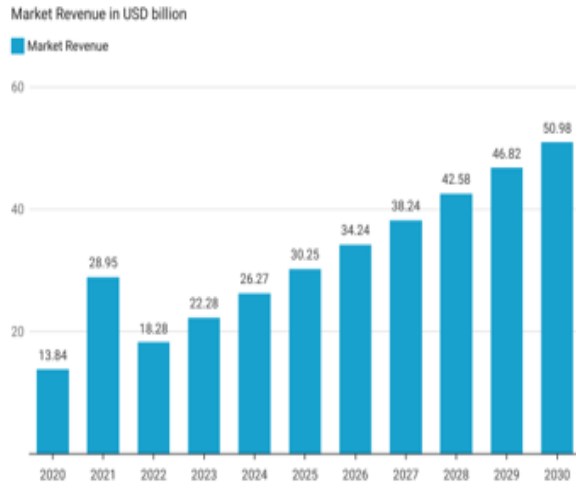


Figure 1. Computer Vision Statistics

Imaging processing is a crucial sphere in computer science, which works at developing and processing visual information. It is one of the most important tasks in this field, namely image deblurring where one tries to deblur a blurred image and obtain a sharp and crisp image. Blurry images can be caused by cameras shaking, an in-focus scene, and/or moving objects. More recently, however, with the introduction of deep learning, mainly through the study of Convolutional Neural Networks (CNNs), the approaches of image deblurring and restoration surged compared to the traditional methods. These techniques have overtaken the conventional image processing techniques and are better performers in cases of complex situations such as motion blur and mixed blur. The aim of the current review paper is to provide an overview of the latest developments in image deblurring with specific attention to deep learning-based deblurring. It serves to elaborate on the various reasons why the image is not sharp and the various methods and models that have emerged, to curb the same. The relevance of using CNNs in blind and non-blind image deblurring is also touched upon in the paper with an emphasis on the advantages and drawbacks [1]. In addition, it provides a comparative review of the most utilized deep learning models with their architecture, loss functions, and metrics of performance. The review will act as a guide to the researchers who intend on comprehending the state-of-the-art methods in the field of deblurring images and how they can be implemented in diverse fields.

2. Literature review Image Deblurring Techniques

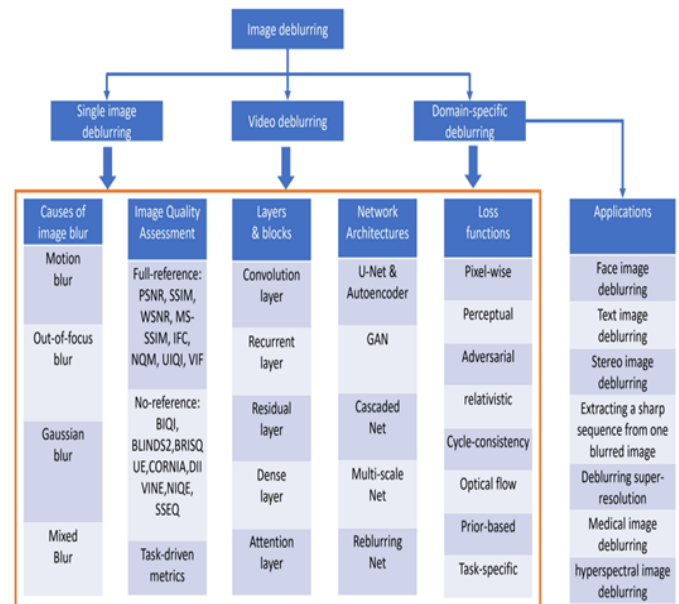


Figure 2. Taxonomy of existing deep image deblurring techniques reviewed

Image deblurring tries to obtain sharp images given a blurred input because of motion, camera shake or other effects. Historically, deblurring is seen as an inverse filtering issue, and it is necessary to know the blur kernel. The recent progress, nevertheless, combines the deep learning methods, such as CNNs, to learn the mapping between a blurred image and a sharp one directly [2]. CNN based models, such as DCNN, IRCNN and others, have offered far greater performance by training blur priors and using large datasets.

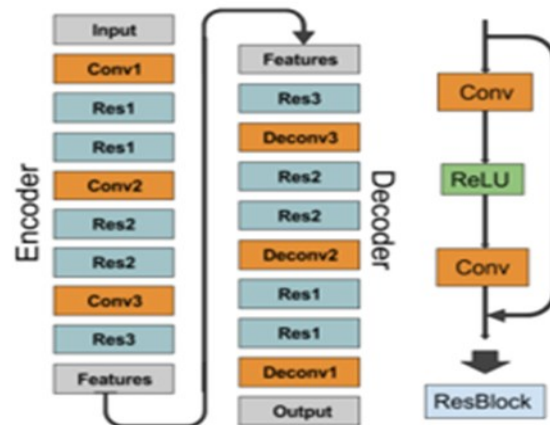


Figure 3. Deep single image deblurring network

The recent progress, nevertheless, combines the deep learning methods, such as CNNs, to learn the mapping between a blurred image and a sharp one directly [2]. Model CNN based models, such as DCNN, IRCNN and others, have offered far greater performance by training blur priors and using large datasets. Moreover, attempts to recover not only the sharp image but the blur kernel is discussed, further

enhancing applicability to real-world applications, under the term blind deblurring [3]. Such methods, though efficient, lack the ability to deal with non-stationary scenes as well as non-uniform blur or real-time processing, which leads to ongoing innovations and hybrid approaches that blend the then existing approaches with deep learning.

Image Super-Resolution Methods

Image super-resolution (SR) is concerned with improving the image being of low-quality. SR using deep learning has transformed the subject with the use of neural structures such as GANs and CNNs generating outstanding performance learning high-frequency information in low-resolution input [4]. Approaches like the SRCNN, VDSR, and EDSR employ deep networks and predict the value of missing pixels that should be and as such create high-resolution images [5]. Modern deep learning models are now trained end-to-end on enormous scales using already created features or straightforward interpolations, which improves quality [6]. Applications that need for exact and unambiguous resolution include surveillance, driverless cars, medical imaging, and satellite observation. Despite the difficulties of working with noisy pictures, high levels of blur, and processing expenses to enable real time, deep learning's end-to-end training capabilities allow the model to be domain-specifically modified [7]. The three most notable ones are edge deployment constraints, mixed blur robustness, and cross-dataset generalization. Transformer-based vision models, unsupervised/self-supervised learning,

and lightweight architectures are the latest areas of study that aim to balance efficiency and quality [8]. These techniques come in handy especially in areas such as medical imaging and satellite imagery where resolution is transcendent to excellent analysis [9]. Nevertheless, even in its current state, an SR approach is challenged by the noise artifacts, the ability to retain fine details, and the pertinence of obtained results to various datasets, leaving room to innovate and improve the method.

Hybrid Models Combining Optimization and Deep Learning

Research work on a hybrid model that integrates the use of conventional optimization methods with a deep learning mechanism in the restore image problematic is discussed in recent studies.



Figure 4. State-of-the-art deblurring methods

The reasoning behind these approaches is that these two paradigms use complementary strengths [10]. Optimization techniques like Wiener

deconvolution, though inapplicable in blind restoration scenarios, perform quite well when the blur kernel is known, whereas deep learning

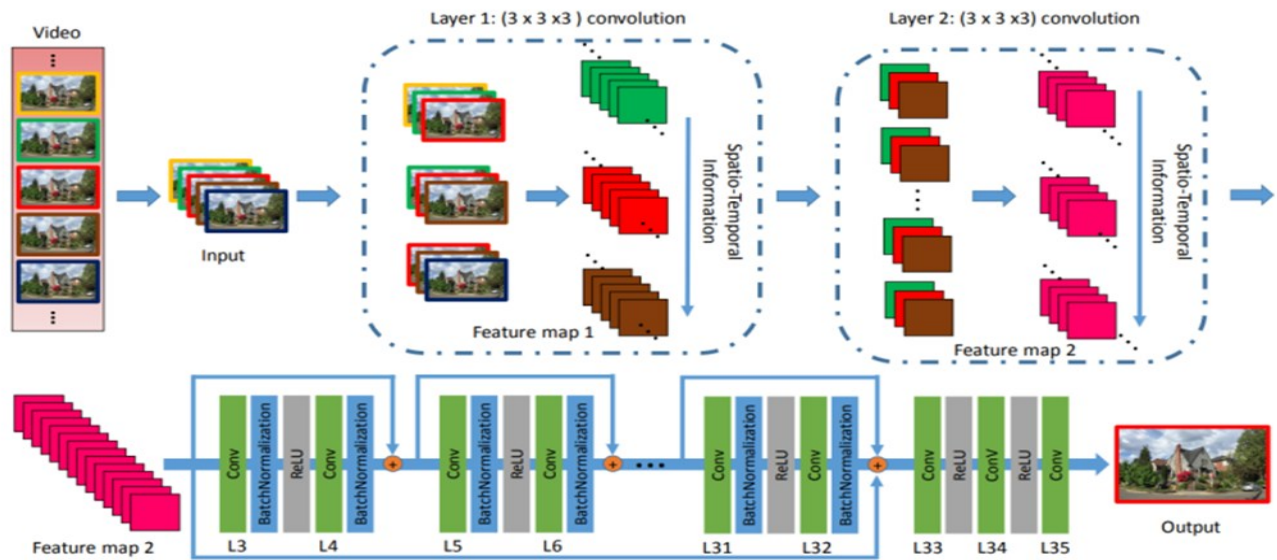


Figure 5. Deep video deblurring network based on the GAN architecture

Hybrid ways usually incorporate deep neural networks into optimization paths, learning complicated image priors and iteratively recycling the recovery procedure [11]. By means of this synergy, it is possible to manage more real-life effects, such as motion blur and out-of-focus distortions. A model and data-driven combination

is a balanced approach and its advantages are higher efficiency and accuracy [12]. Nevertheless, these approaches have problems with computational complexity and their generalizability to novel kinds of blur, which have promoted new research in the area.

Applications and Future Directions

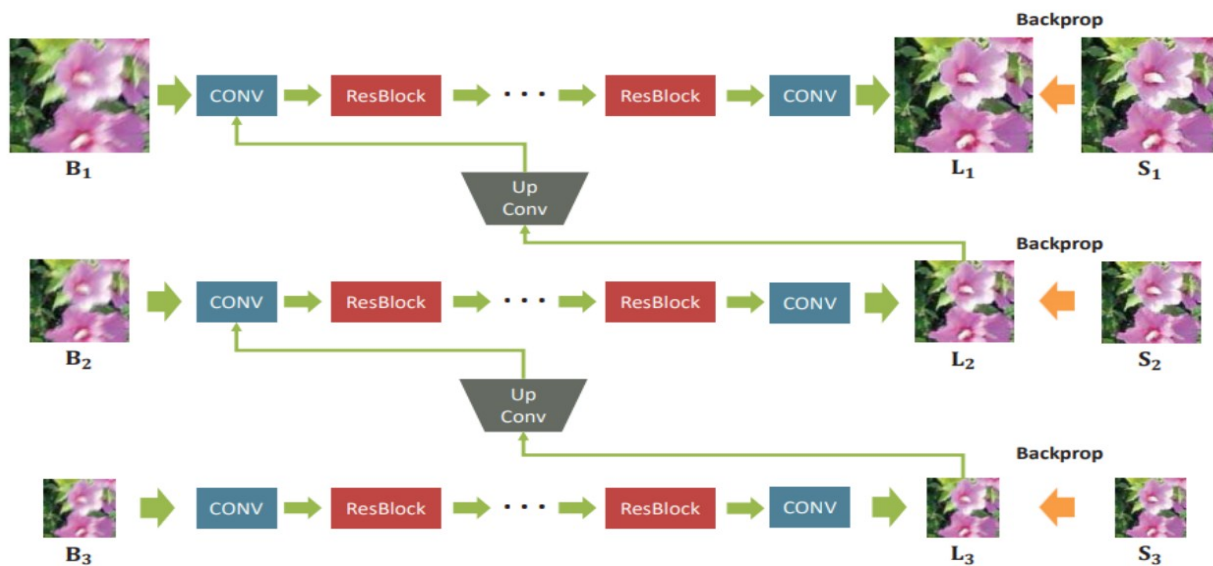


Figure 6. Deep network for single image deblurring based on a multi-scale architecture

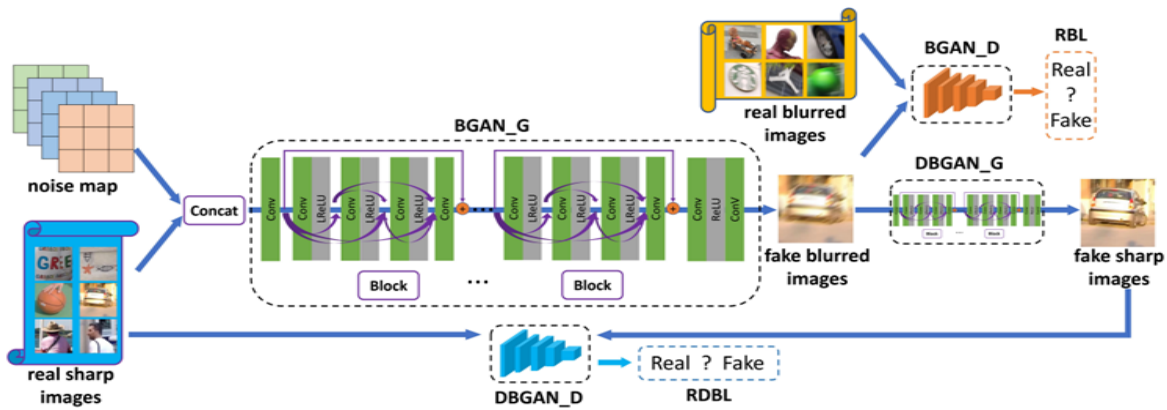


Figure 7. Deep network for single image deblurring based on a re-blurring architecture

Image restoration finds widespread use in many fields, including medical diagnosis, satellite imaging, surveillance, and autonomous cars in the applications of deblurring and super-resolution. Medical imaging just requires high resolutions and clear images to make accurate diagnoses whereas satellite imaging, increasing resolutions is important in analysing terrains [13]. Despite deep learning's progress, issues including real-time operation, handling excessive blur, and improving generalization across a range of datasets still need to be resolved [14]. The prospective studies are centred on designing more efficient models that would be able to process different types of blurs in real-time applications and achieve the least computational load of the system [16]. In addition, advanced and innovative practices like the use of transformers and unsupervised learning shows incredible potential in the context of overcoming the constraints of the image restoration practices so that they become more resilient and accommodating a variably large range of real-life circumstances.

3. Proposed methodology

The suggested methodology of this review paper will be patterned to be comprehensive and follow a systematic way of deep learning-based image deblurring approaches. The direction of the review is narrowed at the very beginning, as only published publications in the form of research articles, conference papers, and other academic sources on the topic of convolutional neural networks (CNNs) [17]. The source of the literature is reliable databases, such as IEEE Xplore,

SpringerLink, and arXiv, so only peer-reviewed and quality-proven studies are included.

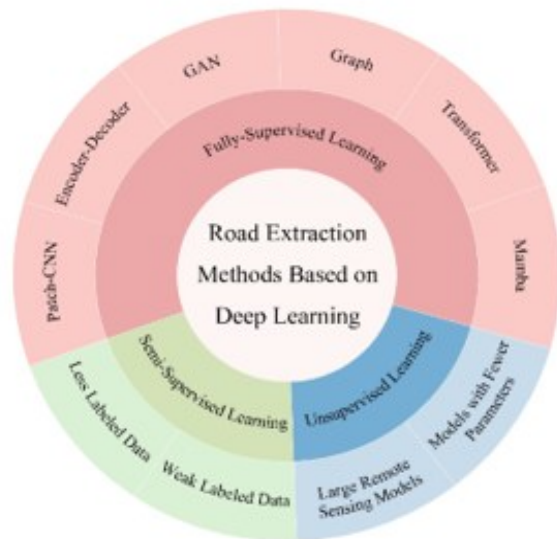


Figure 8. Road Extraction Methods Based on Deep Learning

The selected works are then divided into key thematic areas, such as, blind vs non-blind deblurring, loss function optimization, and the creation of a hybrid model. Each of the studies is studied in regard to methodology, use of dataset, architecture design, performance measurements and limitations [18]. Particular emphasis will be placed on the manner in which all the methods deal with various types of blurs, specifically motion blur, Gaussian blur, and mixed blur.

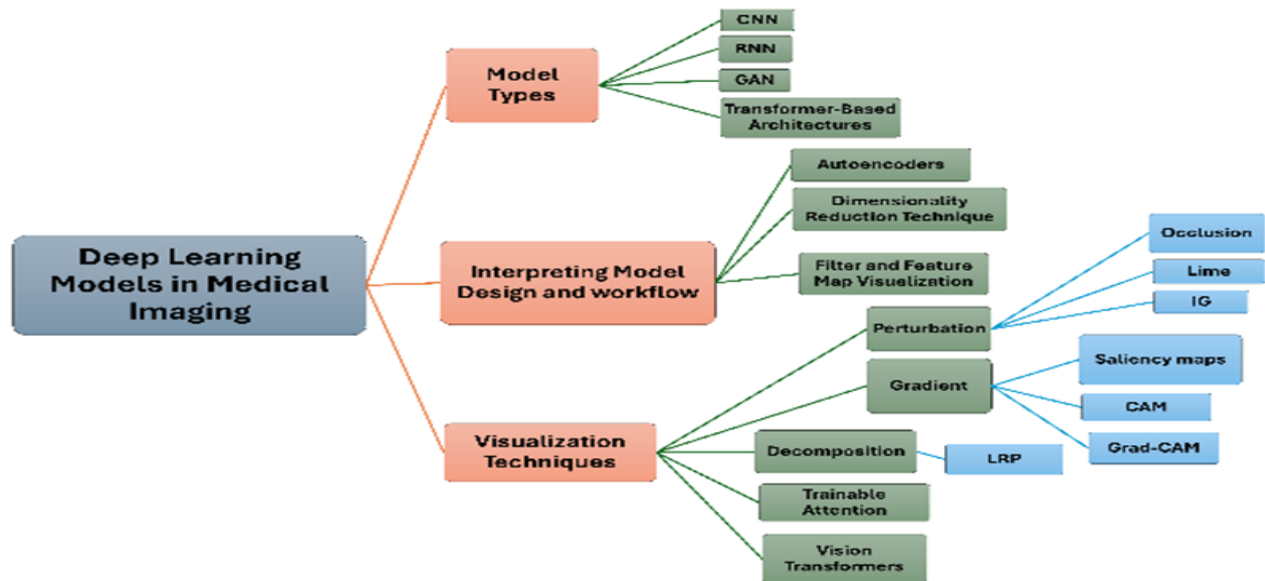


Figure 9. Deep Learning Models in Imaging

The journal resorts to a literature review based on authentic sources (IEEE Xplore, SpringerLink, arXiv) to sort the papers according to the type of the blur, loss functions and model design. Tables of comparison provide datasets, architectures and major concepts whereas equations formalize the

process of optimization and loss functions based on MSE. Hybrid methods combine classical optimization (e.g., Wiener deconvolution) with neural networks, e.g. to enable interpretability and flexibility.

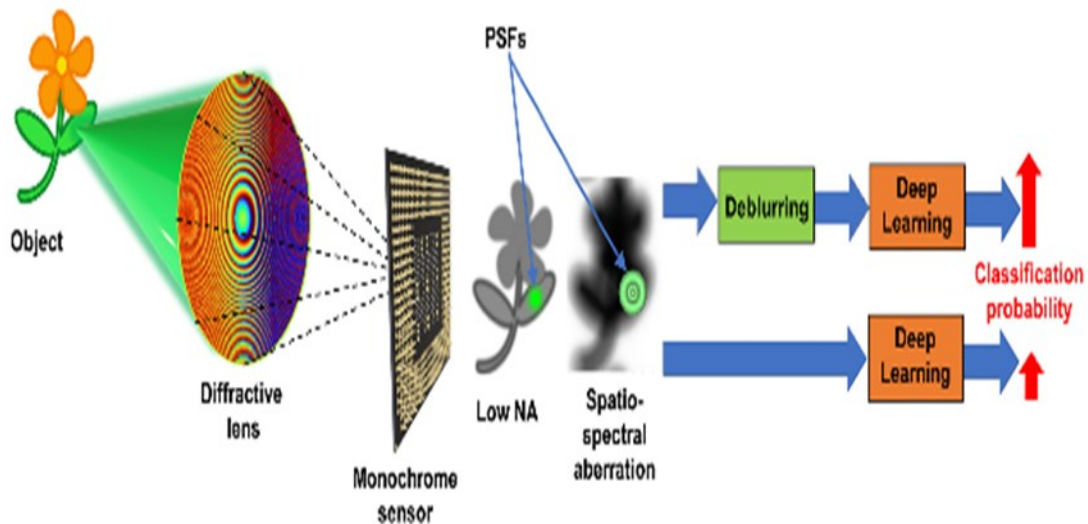


Figure 10. Improved Classification of Blurred Images with Deep-Learning

The tables and figures in the comparisons are generated to illustrate and summarise the architecture model, training parameters and evaluation performance. Also, the mathematical representations, including loss functions and optimization equations, are interpreted to have a

better understanding of the operational principle of the models [19]. The synthesis of results, as a final stage, identifies patterns, methodological issues, and research gaps, which are used to provide recommendations as to the further development of research [20]. The methodology guarantees that

the review is systematic, comprehensive and follows the purposes of developing research in image deblurring.

4. Results and discussion

This review summarizes recent approaches to the problem of image deblurring and super-resolution tasks based on deep learning and, in particular, convolutional neural networks (CNN) and hybrid networks. It includes motion blurs, non-focus blur and both mixed and non-mixed blurs between blind and non-blind; there are two types. Recent architectures such as DCNN, IRCNN or USRNet rely on learned priors and take advantage of large amounts of data to give superior performance to classical deconvolution in practice, in realistic situations. Figures are necessary for image processing research in order to display data and findings in an easily readable manner [21]. Figures add some visuality to the idea, process and result, whereas tables are used to give comparisons in details as well as quantitative information. The correct positioning, concise captions and the representative presentation of data make the point that they serve the research analysis and discussion [22].

The figure explains the various forms of image blurring that affect the visual quality in various situations. The cause of camera shake blur (a) is uncontrolled movement of the camera during the exposure period that manipulates the image as distorted and stretched.

blur (b) is the inability of the camera lens to focus to result in soft-unfocused portions [23]. Moving object blur (c) is experienced when the object in motion blurs since there exists relative speed between the object and the camera.



Figure 11. Types of Blurs

The mixed blur (d) is composed of other different types of blurs and many times can be due to the intricate aspect such as movement at the same time with the focus problem [24]. Knowledge of such blurs plays a fundamental role in image processing to enhance the images and to restore them better. This figure shows an architecture to restore blur by means of Convolutional Neural Networks (CNNs). The degraded image containing blur is optimally processed by various methods such as compressive sensing, dictionary based and sparse prior.

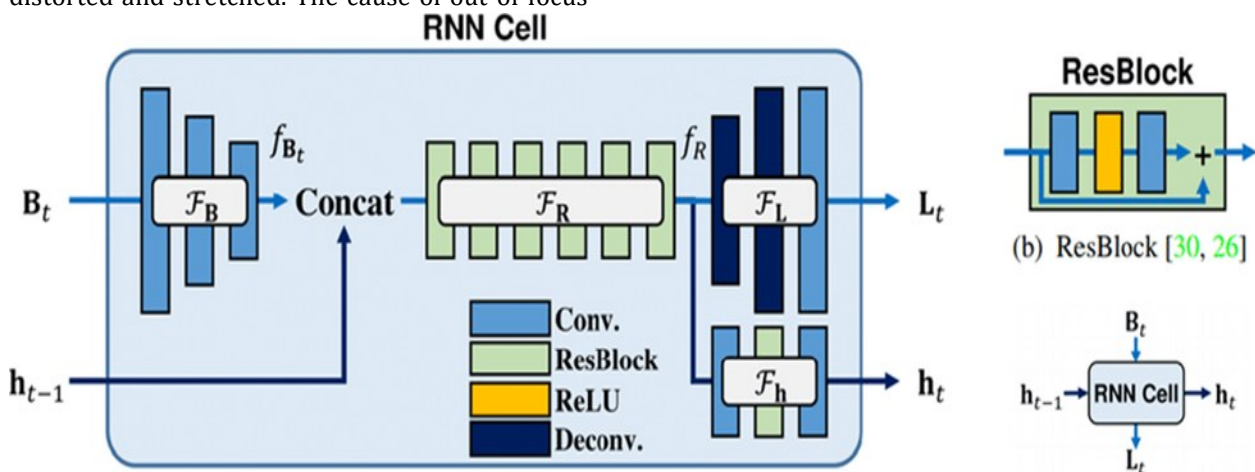


Figure 12. RNN Architecture process

Compressive sensing facilitates retrieving high quality images with reduced measurements that uses minimal computation. The dictionary approaches are aimed at using the preconstructed

image representations to increase the restoration process. Sparse priors help to keep the pixel structure of the image as much as needed with limited details [25]. A CNN will then apply

nonlinear mapping as well as pattern recognition in order to restore the image correctly. This method shows a combination of different methods

of advanced image restoration that is one of the essential domains of modern image processing

Table 2. Table of deep single image non-blind deblurring methods

Method	Category	Blur Type	Dataset	Architecture	Key Idea
DCNN [143]	Uniform	Gaussian, Disk	Convolution	CNN	The first approach combines traditional optimization methods with neural networks to solve inverse problems.
IRCNN [156]		Gaussian, Motion			Trains CNN denoisers and uses them as a component in model-based optimization techniques.
FCNN [151]		Motion			Utilizes adaptive learning of image priors, with a focus on maintaining image structure using an L1 loss function.
FDN [58]		Motion			Incorporates CNN-based priors along with an FFT-based deconvolution method for restoration.
GLRA [104]		Gaussian, Disk, Motion			Leverages low-rank approximations of blur kernels to initialize CNN parameters, improving deblurring accuracy.
DUBLID [67]		Motion			Recasts a TV-regularized method into a deep network for blind image deblurring.
RGDN [32]		Motion			Integrates deep neural networks into a gradient descent method, optimizing image restoration.
DWDN [23]		Motion, Gaussian			Uses explicit deconvolution in the feature space by incorporating Wiener deconvolution techniques.
USRNet [155]		Motion, Gaussian			End-to-end training approach combining model-based and learning-based methods for superior image deblurring.

The table gives a comparison of various methods based on deep learning that are used to blur deblur images and handle the type of blur (motion, Gaussian, disk) by using convolutional neural networks (CNNs). Each approach makes its own contributions, including using prior knowledge of traditional optimization with neural networks, or image priors to achieve better restoration [26]. Such developments point to the current active research area on improving image quality with CNNs and presents methods such as low-rank

approximations, TV-regularization and feature-space deconvolution. This set of techniques embodies diverse state of art methods within the area of image processing.

$$\hat{\theta} = \arg \min_{\theta} L(I_{HR}, I_{SR}) + \lambda \Phi(\theta)$$

The latter equation describes an optimization formulation that finds application in image-restoration tasks (such as image deblurring or super-resolution). The objective in this case is to optimize the set of parameters to minimize the total

loss function. The loss is composed of two terms: the main loss (IHR, ISR) is the difference between high-resolution ground-truth image IHR and the super-resolved or restored image ISR, and the regularization component, that regulates model complexity avoiding that it becomes too complex to be trained [27]. This is a hyper-parameter balancing between fitting data and applying regularization to the model. This framework plays an essential role with deep learning-based solutions in image processing because the model learns to trade off reducing errors and generalization.

$$L = \frac{1}{2N} \sum_{i=1}^N \left| \underline{R}(\theta, i) - R(\theta, i) \right|^2$$

The second equation is the loss function with a particular form, applied in deep learning-based territory of image restoration applications. The loss, L, in this case is obtained by averaging the squared differences between the predicted image, $R(\theta, i)$ and the true image, $\underline{R}(\theta, i)$ on each sample, i, out of N total samples. Such a loss function is more

often called the mean square error (MSE) and can be applied during image processing (blur removal or super-resolution) [28]. The objective here of the equation is to minimize the error in between the reconstructed image and the real image of high resolution by varying the parameters. The squared difference serves to maximize the deviations in the negative direction, and will lead to models that perform optimally [29]. Deep learning method is used while training deep learning models to improve image quality by reducing blur or raising resolution [30]. Computational needs, real-time inference skills, and generalization to unexpected types of blurs are persistent problems [31]. The development of future directions is steering towards transformer-inspired architectures, self-supervised learning, and lightweight edge-optimized models that will be used to attain robust, scalable and high-quality restoration and be used in many different environments.

Review the journals

Theme 1: Evolution of Image Processing Techniques

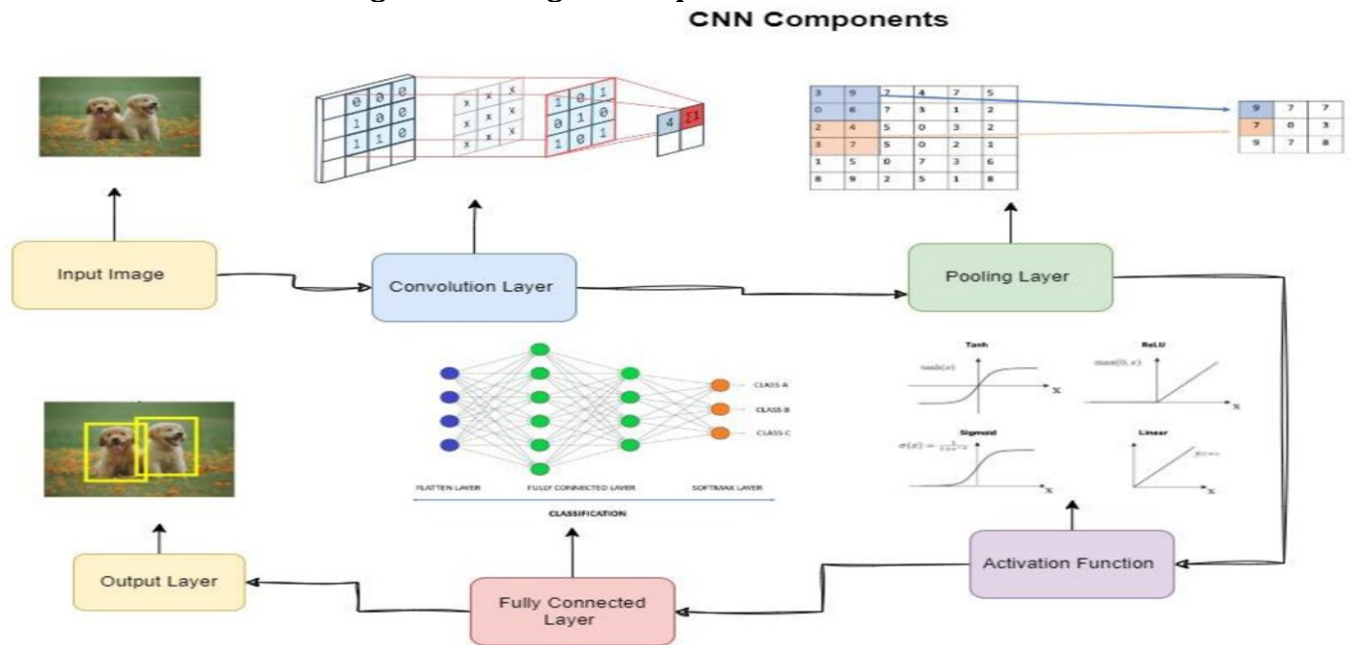


Figure 13. CNN components

Throughout works examined, image processing has evolved beyond pixel manipulation to using artificial intelligence. Traditional methods such as improvement, restoration, compression and segmentation, and recognition techniques are still

essential but the majority of current advances are based on deep learning approaches, and CNN in particular [32]. Through these models, complex feature hierarchies are learnt; which allows higher accuracy in blur removal. super-resolution as well

as object detection [33]. Hybrid approaches combine deep networks with optimization-based priors to have the best of both worlds: achieve greater accuracy and overcome some of the shortcomings of each tradition. This revolution represents a move towards end to end, data-intensive interpretation of images.

Theme 2: Application Diversity and Impact

Image processing is used in remote sensing, security, autonomous systems, and agriculture as well as healthcare. The medical or botanical imagery segmentation and identification are useful to predict the diseases, whereas the object detection methods such as the YOLO implementation varieties are used in the monitoring and safety features of industrial and urban systems [34]. Deep architectures have created the opportunity to perform facial recognition and analysis of facial expressions in real-time with high accuracies [35]. Each domain's methods are tailored to the type of data; for example, medical imaging emphasizes clarity and resolution, whereas satellite imaging emphasizes scale and environmental variability, demonstrating the field's adaptability [36]. The paper presents a review of deep learning-based developments in image deblurring and super-resolution with particular focus on convolutional neural networks (CNNs). It looks at motion, out-of-focus, Gaussian, and mixed blur, explaining blind and non-blind* restoration methods. Modern systems such as DCNN, IRCNN, and USRNet demonstrate potential for directly learning the hierarchies of complex blur priors from data [37]. Feature of extreme importance over conventional decompositions with inverse filtering and kernel estimation in the presence of hard, real-world problems.

Theme 3: Algorithmic Innovations and Integration

The existing studies focus on architectural improvements of models, such as multi-scale CNNs, GAN restoration, attention layers, and spatio-temporal networks, to encompass more contextual content [38]. Hybrid training combines typical restoration algorithms (Wiener deconvolution) and the CNN-learning approach to obtain highly stable performance in blind and non-blind settings [39]. Architectures that are lightweight and efficient are designed to deal with deployments into edge devices. Recent developments like loss function engineering, transfer learning, and feature-space optimization show an interest in achieving this trade-off between computational

cost, performance, and generalization in a variety of real-world imaging applications [40]. Medical diagnostics, satellite mapping, autonomous navigation, and security surveillance systems are examples of industrial applications where decision-making accuracy is directly impacted by clarity and resolution [41]. End-to-end learning is an important possibility of deep models, as they can learn to adapt to some domain-specific limits such as the scale of remote sensing, or preservation of detail in such as clinical imaging.

Theme 4: Challenges and Future Directions

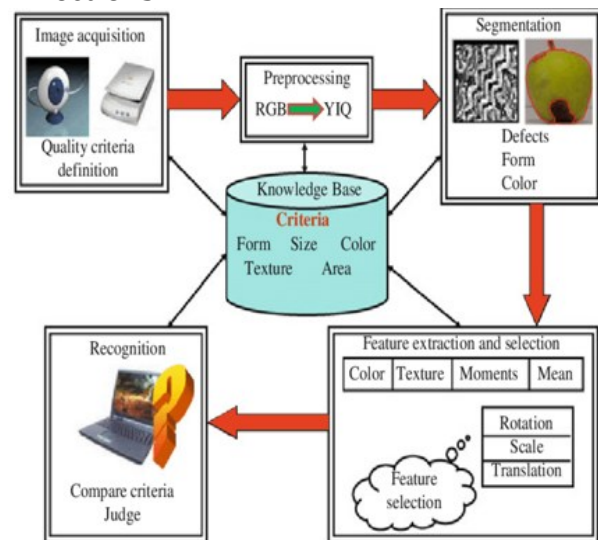


Figure 14. Fundamental steps of a computer vision for digital image processing

Real-time processing, severe or mixed blur, and cross-dataset generalization are still problematic topics with modest development [42]. There is a barrier to deployment in resource-constrained environments due to computational requirements [43]. Resistance to noise, interpretability, and skill to unseen imaging conditions are all the problems that are still open [44]. Future trends will focus on transformer-based vision models, unsupervised and self-supervised learning and adaptive hybrid frameworks [45]. Research is also aimed at lessening model complexity, so as not to lose accuracy, which allows scalable, dependable image processing over more dynamic, various heterogeneous application conditions.

Comprehensive Critical Analysis and Comparison

The paper primarily summarizes the previous research on image deblurring and super-resolution methods based on deep learning, and particularly on Convolutional Neural Networks (CNNs). Nevertheless, it does not provide a critical analysis

of the advantages and disadvantages of the methods presented including DCNN, IRCNN, and USRNet. The paper would have benefited with a more in-depth comparison of these approaches in terms of such important aspects as performance indicators, computing efficiency, or real-life applicability. Lacking these comparisons, the reader cannot have a clear picture of the relative merit or drawback of the various ways [46]. Such a discussion would have offered more information as regards the performance of these methods in different conditions, which would be a better guide in future research and development in the field.

Lack of Weakness Analysis

The review refers to different methods without going into detail on the shortfalls of such methods. The inability of CNNs to process non-moving blur, real-time processing problems or computational costs are not discussed but rather accepted as important but not critically analyzed [47]. The fact that no analysis has been carried out on how these weaknesses affect the overall performance of the existing models reduces the worth of the paper.

Missing Proposed Solutions

Moreover, the solutions to address the weaknesses identified in the reviewed works are not presented in the paper. It does not discuss how the existing models can be enhanced or altered, either by hybrid methods that use CNNs along with optimization methods or by adding novel loss functions. While the old restoration and enhancement approaches are still useful sources of foundation, the new hybrid methods perform better by combining previously learnt picture information [48]. The health care, industrial safety, satellite monitoring, and human-computer connection. Domain-specific changes to the apps significantly enhance each domain [49]. Algorithmic breakthroughs including attention mechanisms, multi-scale structures, and lightweight designs are being used to overcome technical restrictions like computing load and real-time processing [50]. The extreme blur situations hasta issue with, noise resilience, and dataset generalization. Transformer-based vision models, unsupervised learning, and edge deployment methodologies are the current developments that promise to increase capabilities and improve efficiency. By proposing these innovations, the paper would have been made stronger as it would suggest the way forward in the research and

development of the image deblurring and super-resolution sphere.

5. Conclusion

The studied literature shows that the industry of image processing is now going through a dynamic shift, thanks in a large part to deep learning, particularly convolutional neural networks. Together, these developments make image processing a key driver of intelligent systems, and interdisciplinary innovation is a required next area of work to surmount any present-day shortcomings and address the increasingly expanding needs of myriad and diverse real-world applications.

Funding

The study did not involve some particular grant provided by some funding agency of the public, corporate, or not-for-profit sectors. In order to ensure that the study was thorough and objective, third parties were involved and materials were gathered from institutional facilities and publically accessible literature sources. This did not impact the quality of the research work and findings. All presentations are effectively presented.

Acknowledgements

The researchers recognize the efforts that the previous researchers put into the study that become the basis of this review. Institutional support, the availability of academic databases, and peer groups in the research community are also valued as their assistance in producing the manuscript through discussions and positive feedback are appreciated.

Conflicts of Interest

There are no conflicts of interests on the part of the authors with respect to publication of this article. The personal, financial, or professional affiliations that might bias the interpretation, presentation, or findings drawn on the pages of the study and discussion included in the review are not there.

References

- [1] Archana, R. and Jeevaraj, P.E., 2024. Deep learning models for digital image processing: a review. *Artificial Intelligence Review*, 57(1), p.11.
- [2] Zhang, K., Ren, W., Luo, W., Lai, W.S., Stenger, B., Yang, M.H. and Li, H., 2022. Deep image

- deblurring: A survey. *International Journal of Computer Vision*, 130(9), pp.2103-2130.
- [3] Ooi, Y.K. and Ibrahim, H., 2021. Deep learning algorithms for single image super-resolution: a systematic review. *Electronics*, 10(7), p.867.
- [4] Gunasekaran, S., Mercy Bai, P.S., Mathivanan, S.K., Rajadurai, H., Shivahare, B.D. and Shah, M.A., 2024. Automated brain tumor diagnostics: Empowering neuro-oncology with deep learning-based MRI image analysis. *Plos one*, 19(8), p.e0306493.
- [5] Liu, Y., 2022. Paradigmatic compatibility matters: A critical review of qualitative-quantitative debate in mixed methods research. *Sage Open*, 12(1), p.21582440221079922.
- [6] Menghani, G., 2023. Efficient deep learning: A survey on making deep learning models smaller, faster, and better. *ACM Computing Surveys*, 55(12), pp.1-37.
- [7] Hu, X., Xu, W., Fan, Q., Yue, T., Yan, F., Lu, Y. and Xu, T., 2024. Metasurface-based computational imaging: a review. *Advanced Photonics*, 6(1), pp.014002-014002.
- [8] Ma, M., Han, L. and Zhou, C., 2024. Research and application of Transformer based anomaly detection model: A literature review. *arXiv preprint arXiv:2402.08975*.
- [9] Tsopanoglou, A. and del Val, I.J., 2021. Moving towards an era of hybrid modelling: advantages and challenges of coupling mechanistic and data-driven models for upstream pharmaceutical bioprocesses. *Current Opinion in Chemical Engineering*, 32, p.100691.
- [10] Hussain, S., Mubeen, I., Ullah, N., Shah, S.S.U.D., Khan, B.A., Zahoor, M., Ullah, R., Khan, F.A. and Sultan, M.A., 2022. Modern diagnostic imaging technique applications and risk factors in the medical field: a review. *BioMed research international*, 2022(1), p.5164970.
- [11] Suo, J., Zhang, W., Gong, J., Yuan, X., Brady, D.J. and Dai, Q., 2023. Computational imaging and artificial intelligence: The next revolution of mobile vision. *Proceedings of the IEEE*, 111(12), pp.1607-1639.
- [12] Taye, M.M., 2023. Theoretical understanding of convolutional neural network: Concepts, architectures, applications, future directions. *Computation*, 11(3), p.52.
- [13] Barry, E.S., Merkebu, J. and Varpio, L., 2022. State-of-the-art literature review methodology: A six-step approach for knowledge synthesis. *Perspectives on Medical Education*, 11(5), pp.281-288.
- [14] Gomaa, A., Minematsu, T., Abdelwahab, M.M., Abo-Zahhad, M. and Taniguchi, R.I., 2022. Faster CNN-based vehicle detection and counting strategy for fixed camera scenes. *Multimedia Tools and Applications*, 81(18), pp.25443-25471.
- [15] Zhai, L., Wang, Y., Cui, S. and Zhou, Y., 2023. A comprehensive review of deep learning-based real-world image restoration. *IEEE Access*, 11, pp.21049-21067.
- [16] Huang, Y., Miyazaki, T., Liu, X. and Omachi, S., 2022. Infrared image super-resolution: Systematic review, and future trends. *arXiv preprint arXiv:2212.12322*.
- [17] Reis, M.J., 2023. Developments of computer vision and image processing: Methodologies and applications. *Future Internet*, 15(7), p.233.
- [18] Patil, P. and Patil, K., 2023. A review on disease prediction using image processing. *Journal Electrical and Computer Experiences*, 1(1), pp.18-28.
- [19] Wyciślak, S., 2024. Real-time visibility as a catalyst for operational enhancements. *Logforum*, 20(2).
- [20] Alao, O.B., Dudu, O.F., Alonge, E.O. and Eze, C.E., 2024. Automation in financial reporting: A conceptual framework for efficiency and accuracy in US corporations. *Global Journal of Advanced Research and Reviews*, 2(02), pp.040-050.
- [21] Prakash, D.C., Narayanan, R.C., Ganesh, N., Ramachandran, M., Chinnasami, S. and Rajeshwari, R., 2022, May. A study on image processing with data analysis. In *AIP conference proceedings* (Vol. 2393, No. 1, p. 020225). AIP Publishing LLC.
- [22] Zosu, S.J., Kelani, F.A. and Adewuyi, B.A., 2024. Analyzing Employee Training Programs and Their Impact on the Adoption of Emerging Technologies in Investment and Risk

- Management in Production Sectors. *Nigerian Journal of Management Studies*, 25(2), pp.165-180.
- [23] Kandil, A., 2024. Supply Chain and Cost Management Integrity, USA Supply Chain Concerns Discussion, Cost Control Strategies for US Companies Discussion. USA Supply Chain Concerns Discussion, Cost Control Strategies for US Companies Discussion (December 01, 2024).
- [24] Biyouki, S.A. and Hwangbo, H., 2023. A comprehensive survey on deep neural image deblurring. arXiv preprint arXiv:2310.04719.
- [25] Ashar, A.A.K., Abrar, A. and Liu, J., 2024, June. A survey on object detection and recognition for blurred and low-quality images: Handling, deblurring, and reconstruction. In Proceedings of the 2024 8th International Conference on Information System and Data Mining (pp. 95-100).
- [26] Sun, R., Li, X., Zhang, L., Su, Y., Di, J. and Liu, G., 2025. Wavelet-integrated deep neural network for deblurring and segmentation of crack images. *Mechanical Systems and Signal Processing*, 224, p.112240.
- [27] Kim, K., Lee, S. and Cho, S., 2022, October. Mssnet: Multi-scale-stage network for single image deblurring. In European conference on computer vision (pp. 524-539). Cham: Springer Nature Switzerland.
- [28] Shruthi, C.M., Anirudh, V.R., Rao, P.B., Shankar, B.S. and Pandey, A., 2023. Deep Learning based Automated Image Deblurring. In E3S Web of Conferences (Vol. 430, p. 01052). EDP Sciences.
- [29] Hodson, T.O., Over, T.M. and Foks, S.S., 2021. Mean squared error, deconstructed. *Journal of Advances in Modeling Earth Systems*, 13(12), p.e2021MS002681.
- [30] Chen, Z., Pawar, K., Ekanayake, M., Pain, C., Zhong, S. and Egan, G.F., 2023. Deep learning for image enhancement and correction in magnetic resonance imaging—state-of-the-art and challenges. *Journal of Digital Imaging*, 36(1), pp.204-230.
- [31] Chen, X., 2023. Real-Time Semantic Segmentation Algorithms for Enhanced Augmented Reality. *Journal of Computational Innovation*, 3(1).
- [32] Cho, S.J., Ji, S.W., Hong, J.P., Jung, S.W. and Ko, S.J., 2021. Rethinking coarse-to-fine approach in single image deblurring. In Proceedings of the IEEE/CVF international conference on computer vision (pp. 4641-4650).
- [33] Cho, S.J., Ji, S.W., Hong, J.P., Jung, S.W. and Ko, S.J., 2021. Rethinking coarse-to-fine approach in single image deblurring. In Proceedings of the IEEE/CVF international conference on computer vision (pp. 4641-4650).
- [34] Li, X., Li, F., Yu, J. and An, G., 2022. A high-precision underwater object detection based on joint self-supervised deblurring and improved spatial transformer network. arXiv preprint arXiv:2203.04822.
- [35] Sharif, S.M.A., Naqvi, R.A., Mehmood, Z., Hussain, J., Ali, A. and Lee, S.W., 2022. Meddeblur: Medical image deblurring with residual dense spatial-asymmetric attention. *Mathematics*, 11(1), p.115.
- [36] Bazrafkan, A., Igathinathane, C., Bandillo, N. and Flores, P., 2025. Optimizing integration techniques for UAS and satellite image data in precision agriculture—a review. *Frontiers in Remote Sensing*, 6, p.1622884.
- [37] Qayyum, A., Ilahi, I., Shamshad, F., Boussaid, F., Bennamoun, M. and Qadir, J., 2022. Untrained neural network priors for inverse imaging problems: A survey. *IEEE Transactions on Pattern Analysis and Machine Intelligence*, 45(5), pp.6511-6536.
- [38] Ayca Duran, Christoph Waibel, Valeria Piccioni, Bernd Bickel, Arno Schlueter, 2025. A review on artificial intelligence applications for facades. *Building and Environment*, Volume 269,
- [39] Wang, J., Feng, S., Cheng, Y. and Al-Nabhan, N., 2021. Survey on the loss function of deep learning in face recognition. *Journal of Information Hiding and Privacy Protection*, 3(1), p.29.
- [40] Bazarbay, M.D., 2024. INNOVATIVE ALGORITHMS FOR SATELLITE DATA PROCESSING TO IMPROVE THE ACCURACY

- OF DIGITAL MAPS. *Вестник науки*, 2(11 (80)), pp.1479-1489.
- [41] Zhang, X., Huang, H., Zhang, D., Zhuang, S., Han, S., Lai, P. and Liu, H., 2024. Cross-dataset generalization in deep learning. *arXiv preprint arXiv:2410.11207*.
- [42] Ho, Q.T., Duong, M.T., Lee, S. and Hong, M.C., 2024. EHNNet: Efficient hybrid network with dual attention for image deblurring. *Sensors*, 24(20), p.6545.
- [43] Zhang, Y., Zhu, H., Wang, H., Jamil, R., Zhou, F., Xiao, C., Fujita, H. and Aljuaid, H., 2025. Image deblurring method based on GAN with a channel attention mechanism. *Information Sciences*, 713, p.122166.
- [44] Lee, M.H., Yun, C.S., Kim, K. and Lee, Y., 2022. Effect of denoising and deblurring 18F-fluorodeoxyglucose positron emission tomography images on a deep learning model's classification performance for Alzheimer's disease. *Metabolites*, 12(3), p.231.
- [45] Szczykutowicz, T.P., Toia, G.V., Dhanantwari, A. and Nett, B., 2022. A review of deep learning CT reconstruction: concepts, limitations, and promise in clinical practice. *Current Radiology Reports*, 10(9), pp.101-115.
- [46] Boroujeni, S.P.H., Mehrabi, N., Alzorgan, H., Sarlak, A., Fazeli, M. and Razi, A., 2025. All You Need for Object Detection: From Pixels, Points, and Prompts to Next-Gen Fusion and Multimodal LLMs/VLMs in Autonomous Vehicles. *arXiv preprint arXiv:2510.26641*.
- [47] Pietroni, E. and Ferdani, D., 2021. Virtual restoration and virtual reconstruction in cultural heritage: Terminology, methodologies, visual representation techniques and cognitive models. *Information*, 12(4), p.167.
- [48] Park, J. and Kang, D., 2024. Artificial intelligence and smart technologies in safety management: a comprehensive analysis across multiple industries. *Applied Sciences*, 14(24), p.11934.
- [49] Gong, R., Zhang, H., Li, G. and He, J., 2025. Edge Computing-Enabled Smart Agriculture: Technical Architectures, Practical Evolution, and Bottleneck Breakthroughs. *Sensors*, 25(17), p.5302.
- [50] Khan, S., Naseer, M., Hayat, M., Zamir, S.W., Khan, F.S. and Shah, M., 2022. Transformers in vision: A survey. *ACM computing surveys (CSUR)*, 54(10s), pp.1-41.